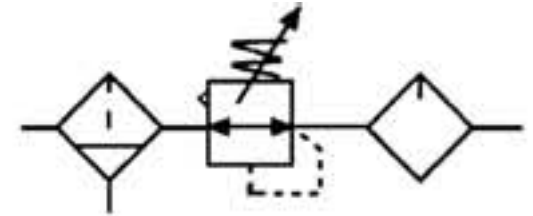
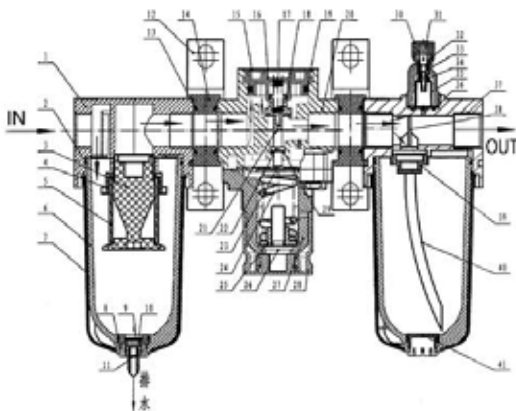


Filter + Regulator + Lubricator Professional Range



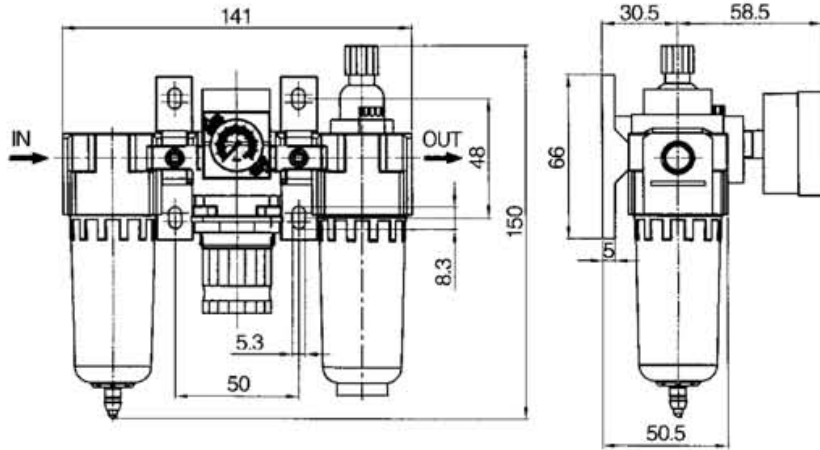
Specification

Type	FM-20	FM-30	FM-40	FM-50
Port Size (G)	1/8"	1/4"	3/8" - 1/2"	3/4" - 1"
Gauge Thread	1/8"		1/4"	
Fluid	Compressed Air			
Pressure Range (Mpa)	0.15 - 0.85			
Max Flow Rate (L/min)	500	1700	3000	5000
Ambient Temperature (°c)	-10°c -to- +60°c			
Filter Precision	Standard: 20 µm			
Oil Recommendation	ISO VG32			
Cup Material	Metal			
Structure	Overflow Type			
Guard Cup	-	■	■	■

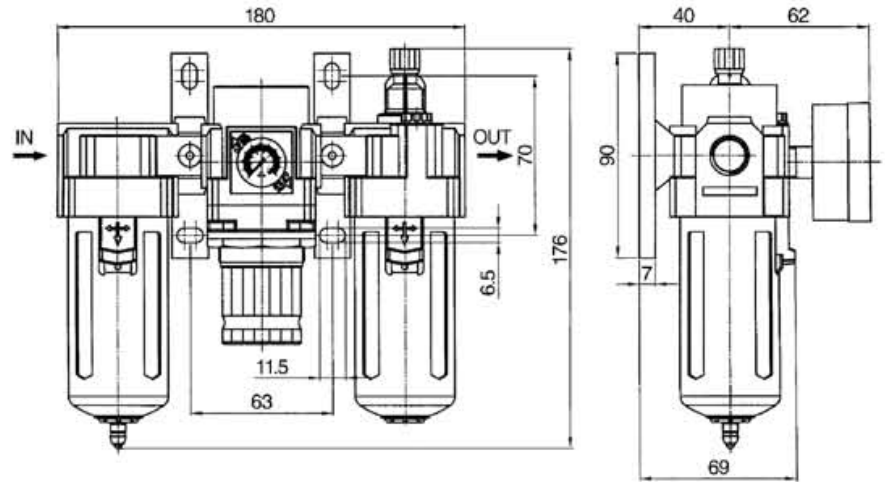


No	Code	No	Code	No	Code	No	Code
1	filter body	14	connecting block	27	regulator cover	40	oil tube
2	o-ring	15	panel	28	knob	41	oil cup block
3	baffle body	16	pedestal	29	o-ring		
4	impeller	17	regulator core spring	30	doom button		
5	cartridge	18	o-ring	31	adjust pin		
6	oil cup	19	o-ring	32	o-ring		
7	guard cup	20	regulator body	33	middle doom		
8	o-ring	21	regulator core	34	o-ring		
9	circlip	22	regulator core washer	35	doom inner cover		
10	drain nozzle	23	diaphragm	36	seals		
11	drain spring	24	regulator spring	37	lubricator body		
12	bracket	25	nut	38	damping fin		
13	o-ring	26	screw	39	bolt		

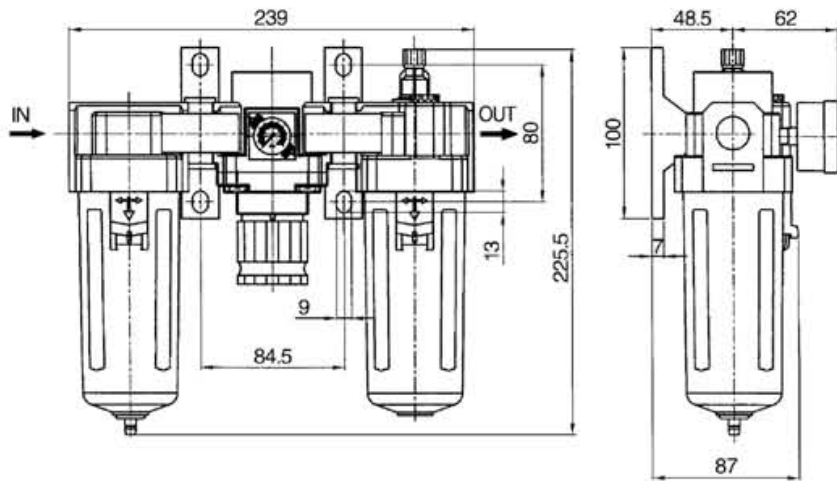
FM-20



FM-30



FM-40



FM-50

